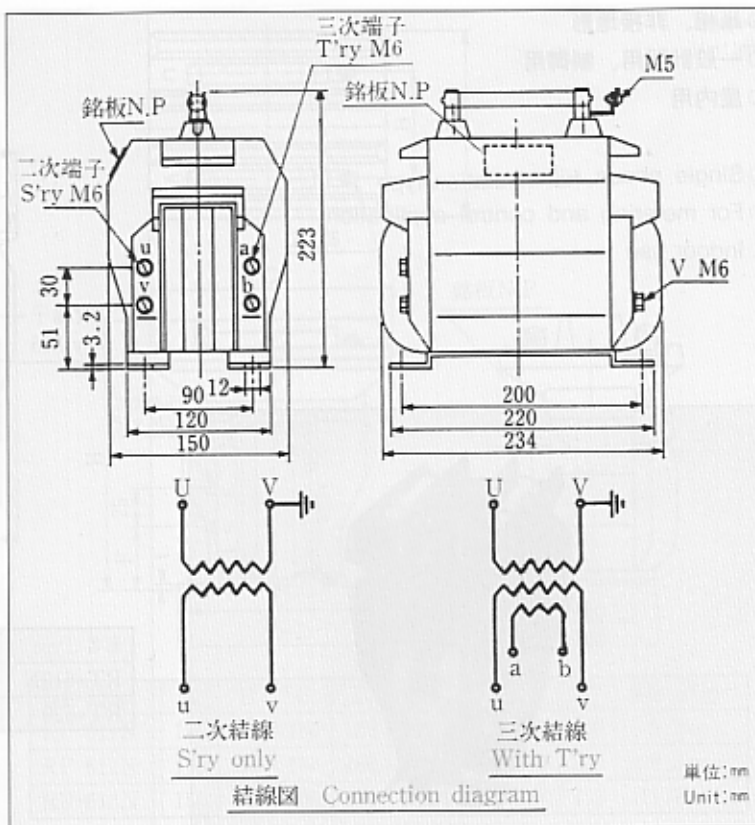
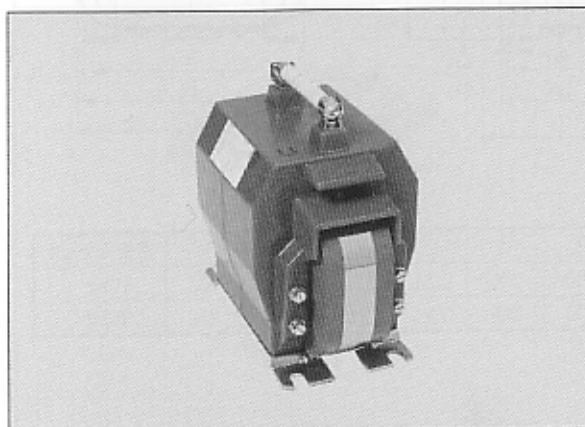


高压接地形計器用変圧器
EARTHED VOLTAGE TRANSFORMER (7.2kV)

(RPG-613N)

- 单相、接地形
- 一般計器用、继电器用
- 屋内用
- Single phase, grounding type
- For metering and protective application
- Indoor use



| 形名 Type | RPG-613N | | | |
|---------------------------|---------------|-------|----------------------------|-------------|
| | JEC-1201 | | IEC-186/BS 3941 | |
| 準拠規格 Standard | JEC-1201 | | IEC-186/BS 3941 | |
| 最高電圧 Max. voltage | 3.45kV | 6.9kV | 3.6kV | 7.2kV |
| 絶縁階級 Insulation level | 3-A | 6-A | 3.6/10/40kV | 7.2/20/60kV |
| 一次電圧 Primary voltage | 3300/√3 V | | 3300/√3 V | 6600/√3 V |
| 二次電圧 Secondary voltage | 110/√3 V | | 110/√3 V | |
| 三次電圧 Tertiary voltage | 190/3, 110/3V | | 190/3, 110/3V | |
| 過電圧倍数 Over voltage factor | — | | 1.2 (Continuous) 1.9 (30S) | |
| 周波数 Frequency | 50, 60Hz | | 50 or 60Hz | |
| 重量 Weight | 18kg | | | |

| 精度階級 Accuracy class | | | | 定格負担 Rated output | |
|---------------------|--------|-------------|--------|-------------------|-------------|
| 二次 Secondary | | 三次 Tertiary | | 二次 Secondary | 三次 Tertiary |
| JEC | IEC/BS | JEC | IEC/BS | | |
| — | 0.2 | — | — | 25VA | — |
| — | 0.5 | — | — | 100 | — |
| 1P | 1.0 | — | — | 200 | — |
| 3P | 3.0 | — | — | 600 | — |
| 1P | 1.0 | 3G | 3P | 200 | 200VA |
| 1P | 1.0 | 5G | 6P | 200 | 500 |

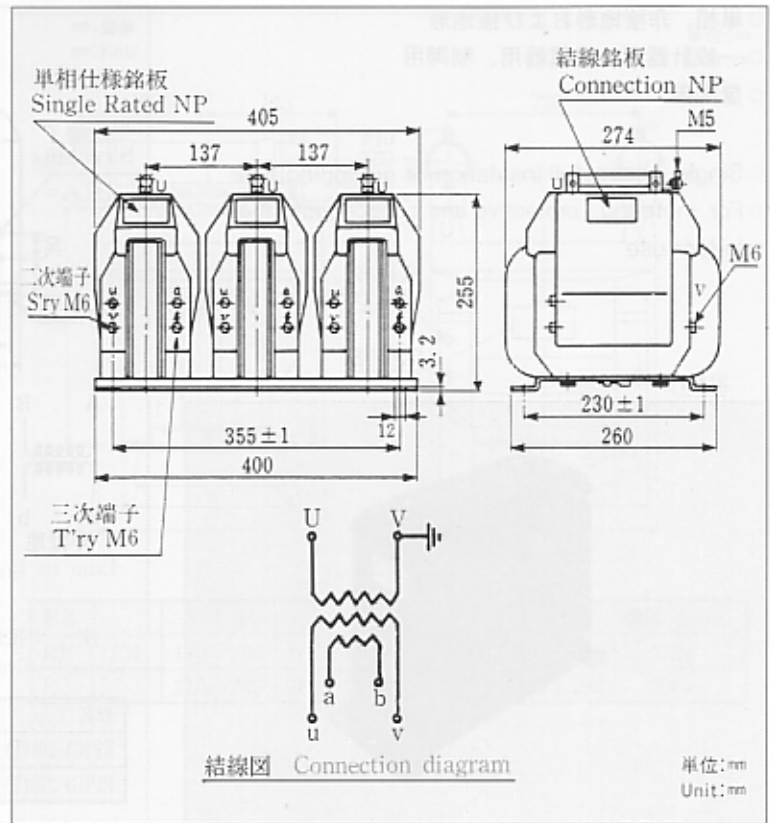
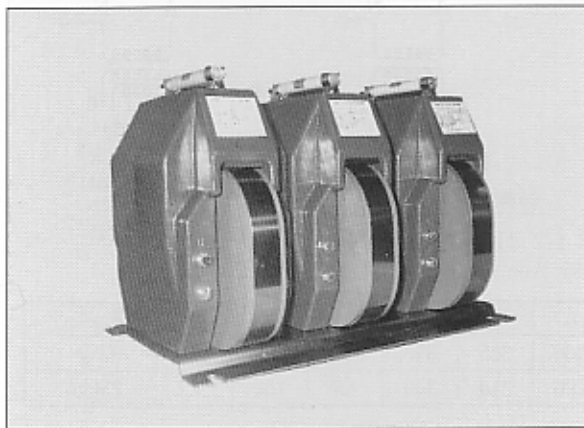
標準仕様 Standard specification

| 一次ヒューズ特性 Primary fuse specification | | | |
|-------------------------------------|--------------------|--------------------|------------------------|
| 形名 Type | 定格電流 Rated current | 定格電圧 Rated voltage | しゃ断電流 Breaking current |
| PL-G | T1A | 7.2/3.6kV | 40kA |

高压接地形計器用変圧器
EARTHED VOLTAGE TRANSFORMER (7.2kV)

(RTG-6-S, RTG-3-S)

- 単相、接地形
- 一般計器用、継電器用
- 屋内用
- Single phase, grounding type
- For metering and protective application
- Indoor use



| 形名 Type | RTG-3-S | RTG-6-S | RTG-3-S | RTG-6-S |
|---------------------------|--------------------|--------------------|-------------------------|--------------------|
| 準拠規格 Standard | JEC-1201 | | IEC-186/BS 3941 | |
| 最高電圧 Max. voltage | 3.45kV | 6.9kV | 3.6kV | 7.2kV |
| 絶縁階級 Insulation level | 3-A | 6-A | 3.6/10/40kV | 7.2/20/60kV |
| 一次電圧 Primary voltage | 3300/ $\sqrt{3}$ V | 6600/ $\sqrt{3}$ V | 3300/ $\sqrt{3}$ V | 6600/ $\sqrt{3}$ V |
| 二次電圧 Secondary voltage | 110/ $\sqrt{3}$ V | | 110/ $\sqrt{3}$ V | |
| 三次電圧 Tertiary voltage | 190/3, 110/3V | | 190/3, 110/3V | |
| 定格負担 Rated output | 200/200VA | | 200/200VA | |
| 精度階級 Accuracy class | 1P/3G | | 1.0/3P | |
| 過電圧倍数 Over voltage factor | — | | 1.2(Continuous)1.9(30S) | |
| 周波数 Frequency | 50,60Hz | | 50 or 60Hz | |
| 重量 Weight | 62kg | | | |

| 一次ヒューズ特性 Primary fuse specification | | | |
|-------------------------------------|--------------------|--------------------|------------------------|
| 形名 Type | 定格電流 Rated current | 定格電圧 Rated voltage | しゃ断電流 Breaking current |
| PL-G | T1A | 7.2/3.6kV | 40kA |